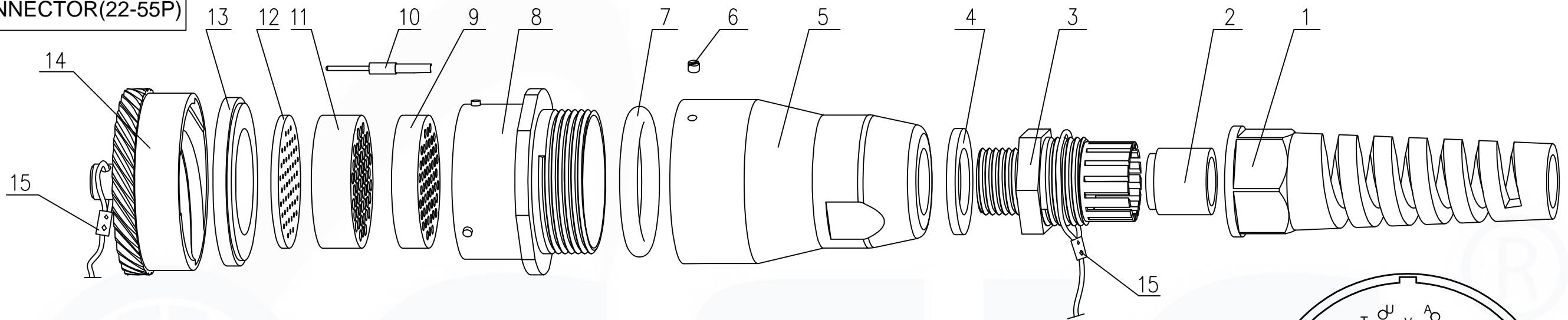
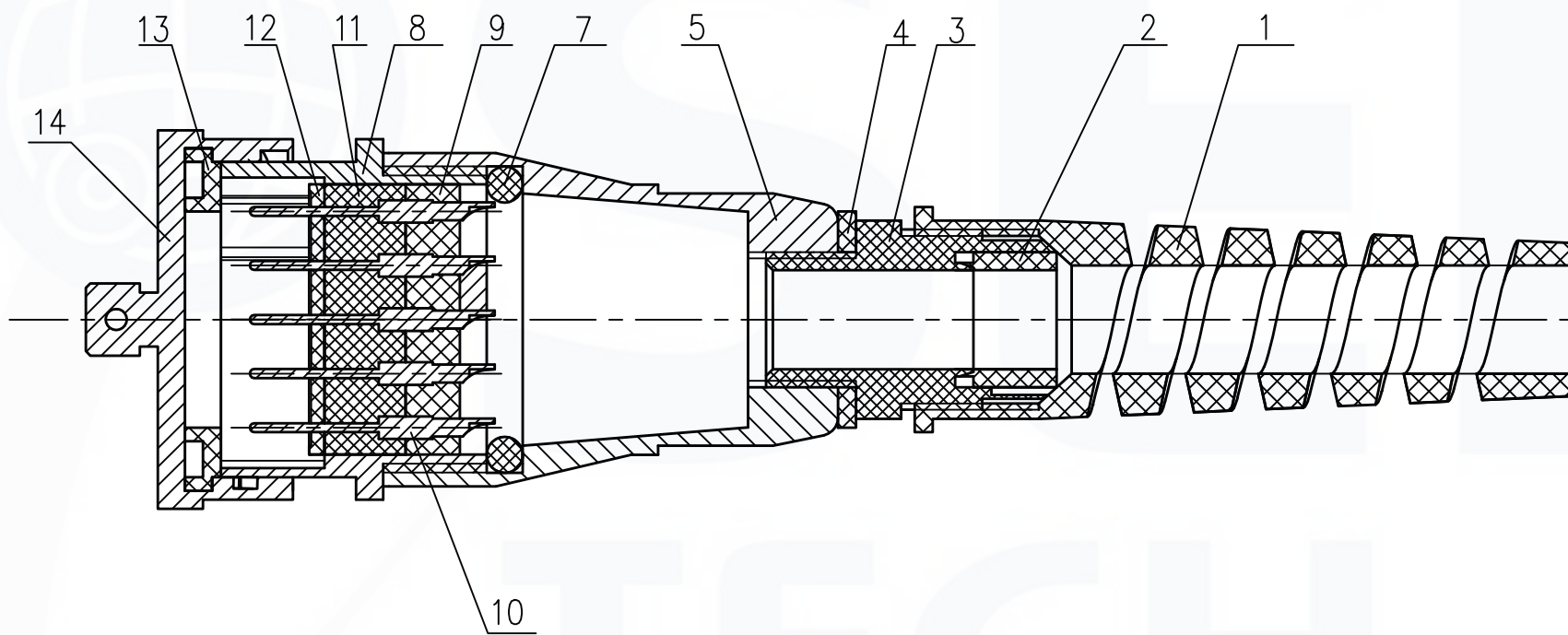


**55 PIN MALE CONNECTOR(22-55P)**

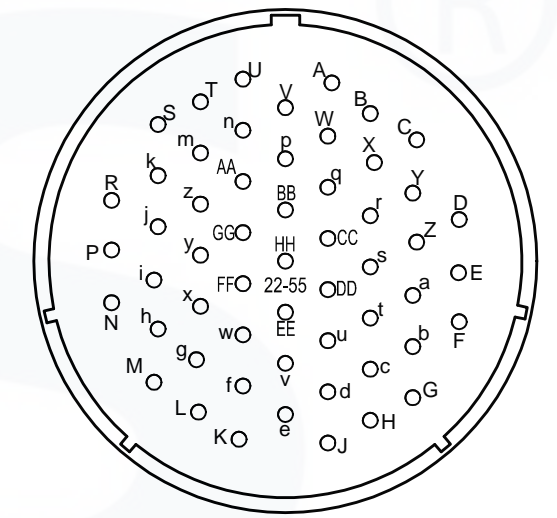
A



B



C

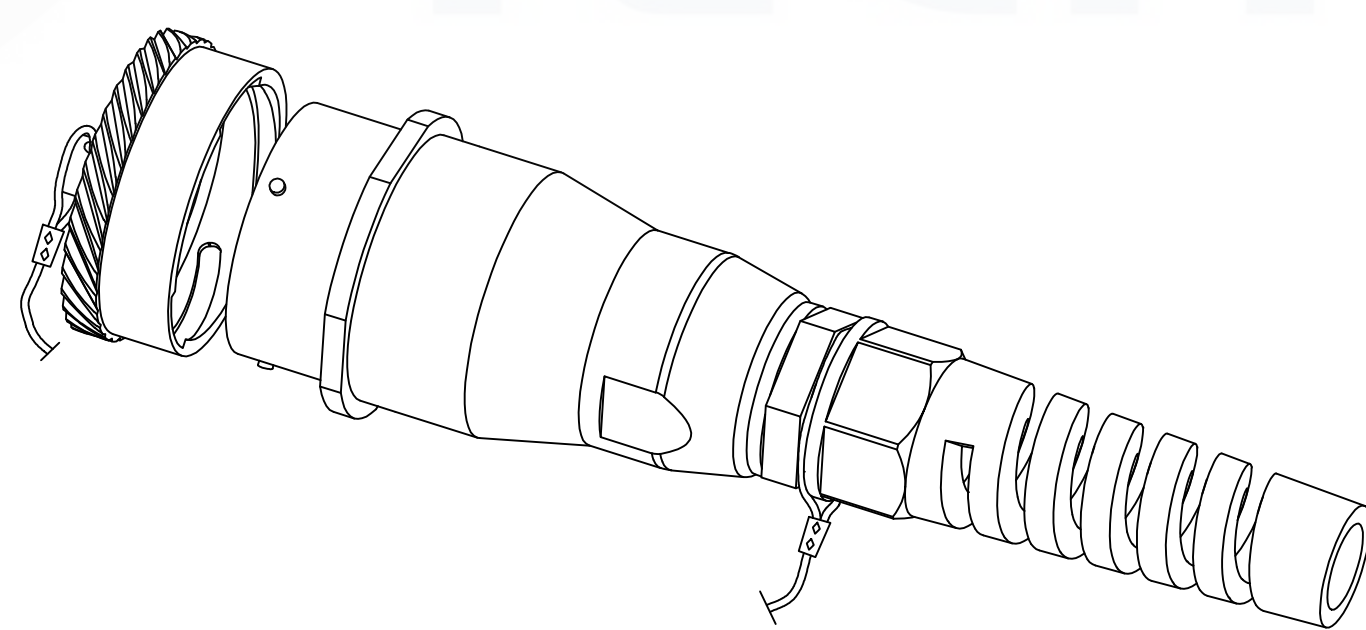


PIN CONFIGURATION

D

15	INSULATED WIRE ROPE	1
14	DUST CAP	1
13	CIRCULAR WASHER	1
12	LOCK SPRING	1
11	PIN RETAINER.TOP	1
10	MALE PIN	55
9	PIN RETAINER.BOTTOM	1
8	55 MALE CONN.SHELL	1
7	O-Ring	1
6	SET SCREW	1
5	COUPLING RING	1
4	SEAL WASHER	1
3	CONN.BODY LOCKER	1
2	BECKET	1
1	TAIL PIECE	1


E



Code No.	Drawing No.	Name	Material	Quantity
----------	-------------	------	----------	----------

**55 PIN MALE CONNECTOR(22-55P)**

Scale	1:1	Quantity	
DRAWN BY:	XH.S	APPROVED BY:	STEVE LU

Seis Tech Incorporation  seis-tech.com

Date Sign