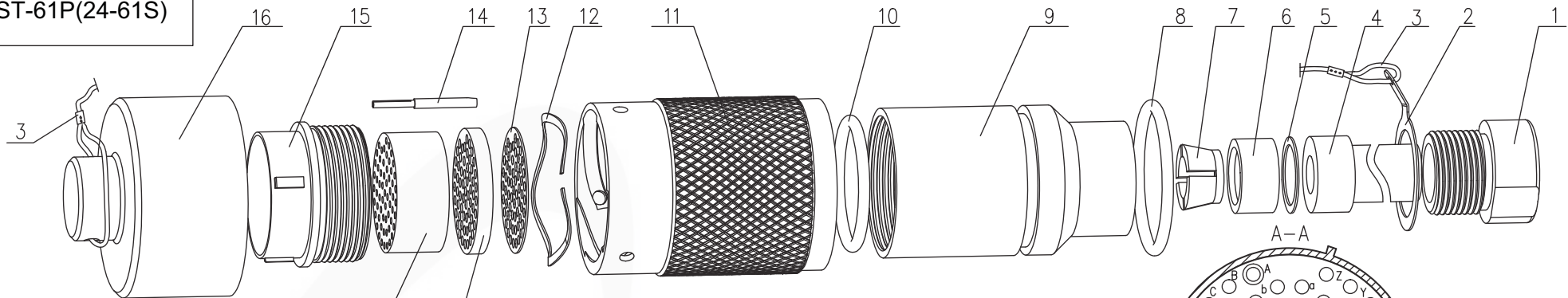
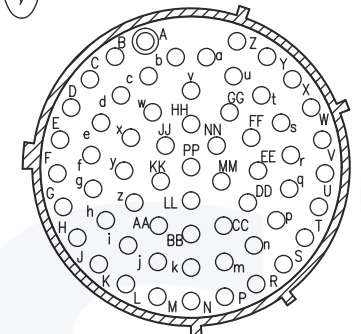
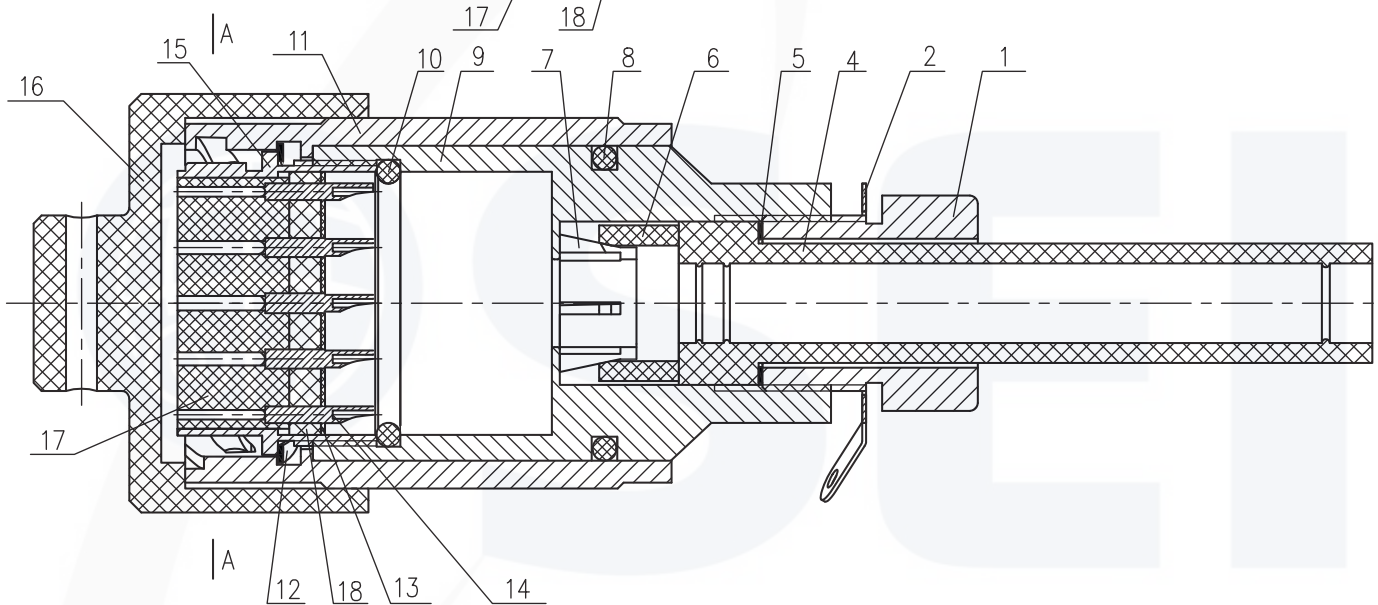


ST-61P(24-61S)

A



B

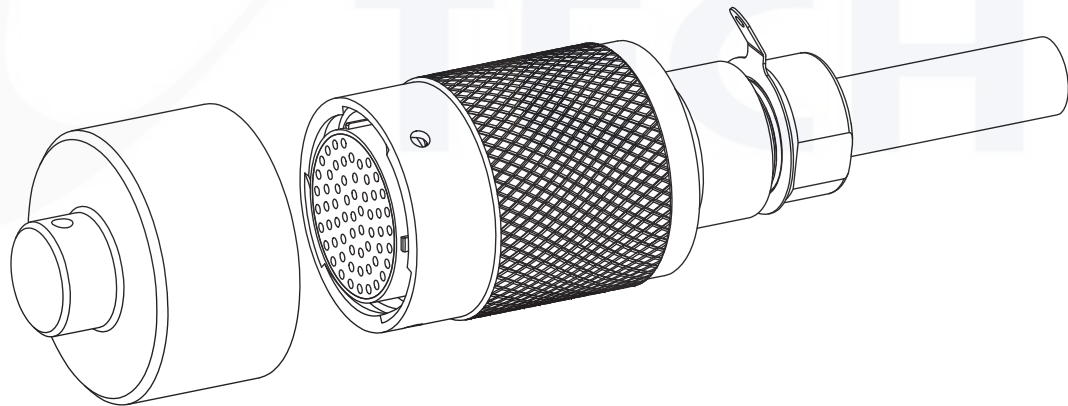


PIN CONFIGURATION

C

D


E



18	PIN RETAINER.BOTTOM	1		
17	PIN RETAINER.TOP	1		
16	DUST CAP	1		
15	ST-61P FEMALE CONN.SHELL	1		
14	FEMALE PIN	61		
13	LOCK SPRING	1		
12	WAVE SPRING	1		
11	BACKSHELL-I	1		
10	O-Ring	1		
9	BACKSHELL-II	1		
8	O-Ring	1		
7	CLAMP	1		
6	GASKET	1		
5	BOOT WASHER	1		
4	CABLE BOOT	1		
3	INSULATEDWIRE TOPE	1		
2	BOOT WASHER	1		
1	BACKSHELL NUT	1		
Code No.	Drawing No.	Name	Material	Quantity

ST-61P(24-61S)

Scale 1.5:1
 DRAWN BY: XH.S
 APPROVED BY: STEVE LU

Seis Tech Incorporation  seis-tech.com

Date Sign