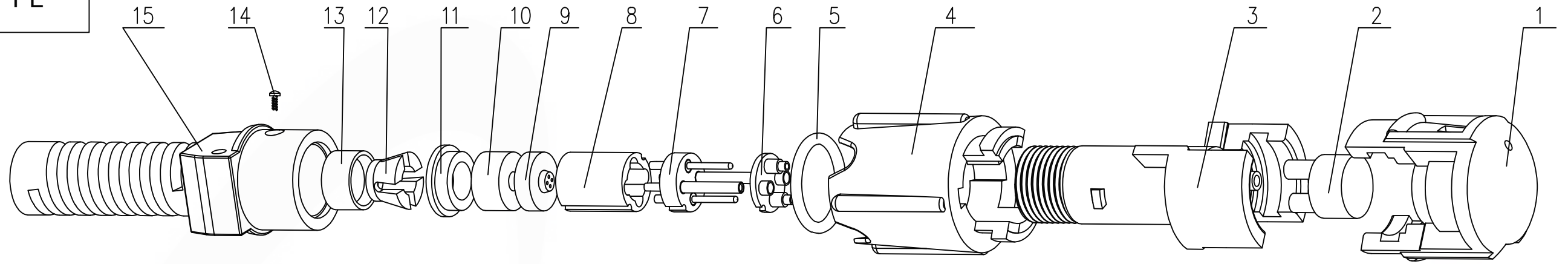
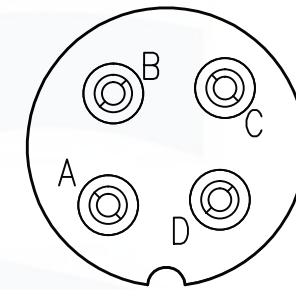


FM4 ST PL

A

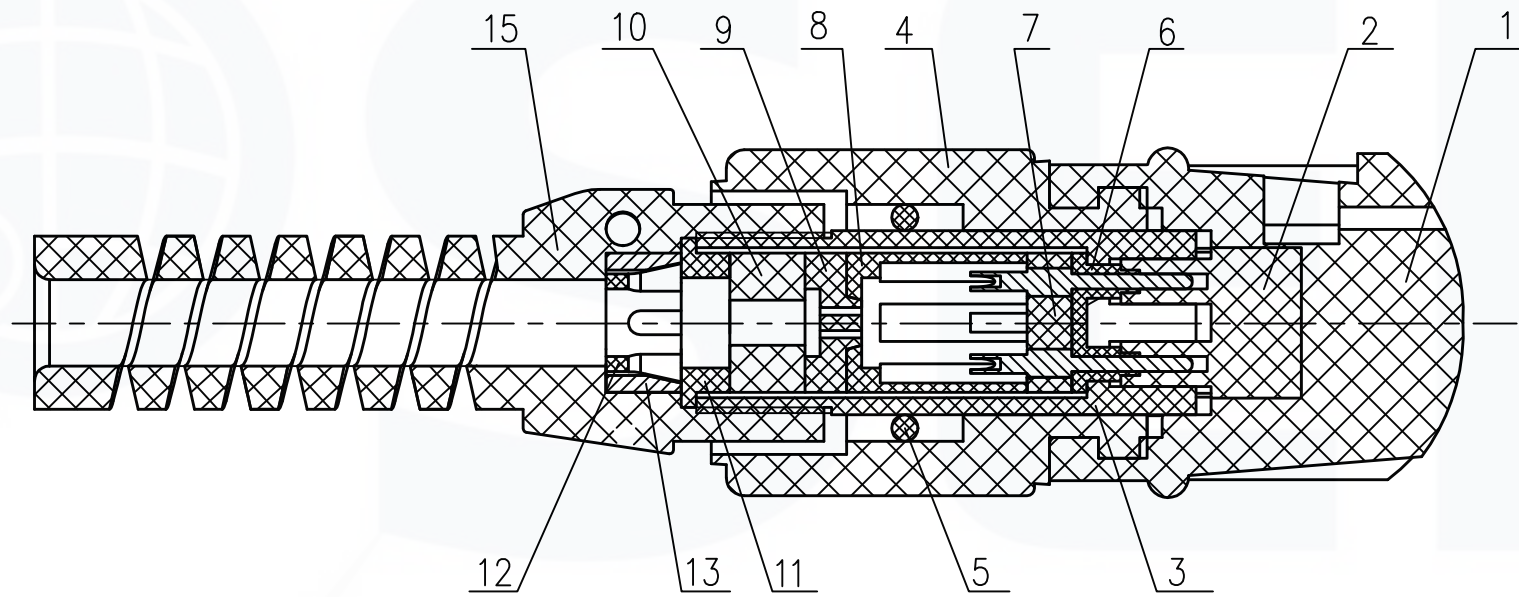


B

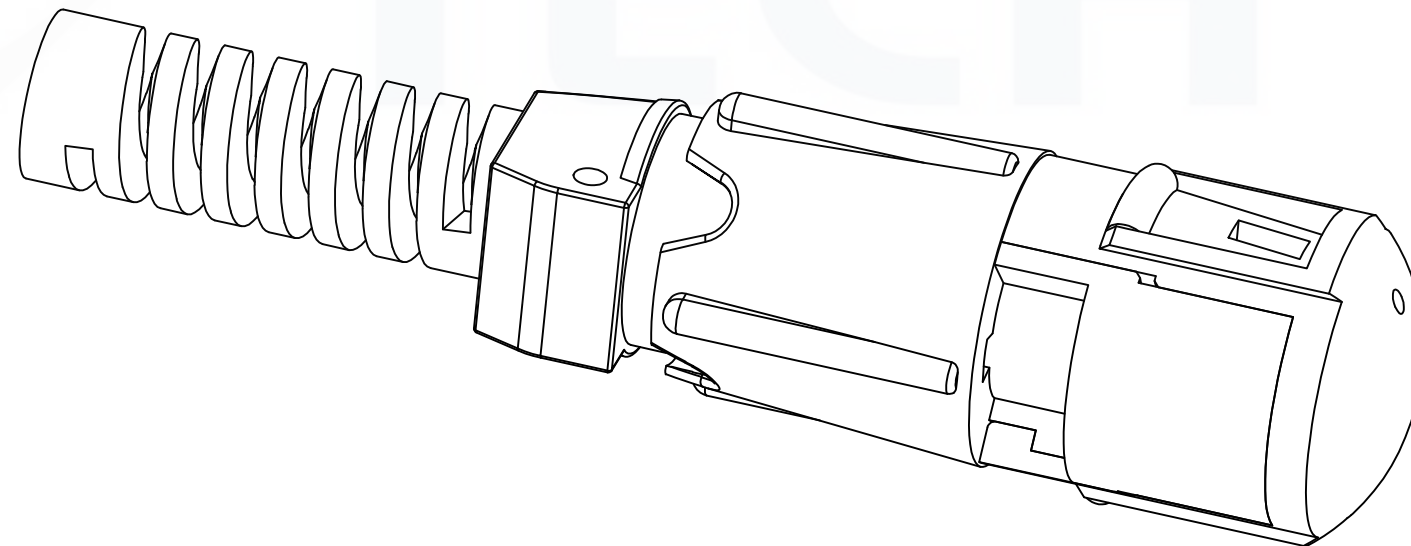


PIN CONFIGURATION OF SOLDER SIDE

C



D



E

15		Tail Piece		1
14		Tapping Screw		1
13		Becket		1
12		Cable Clamp		1
11		Cushion		1
10		Sealing Washer		1
9		Gasket For Cable		1
8		Spacer Sleeve		1
7		Pin Element		1
6		Sealing Washer		1
5		O-Ring		1
4		Adapter Sleeve		1
3		Connector Case		1
2		Sealing Washer		1
1		Dust Cap		1
Code No.	Drawing No.	Name	Material	Quantity

FM4 ST PL

Scale	1:1	Quantity	
DRAWN BY:	XH.S	APPROVED BY:	STEVE LU

Seis Tech Incorporation



seis-tech.com

Date Sign

1

2

3

4

5

6

7

8