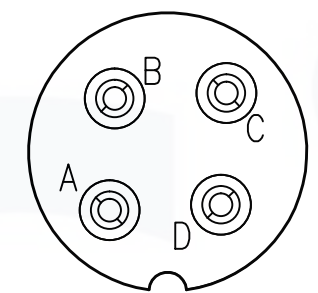
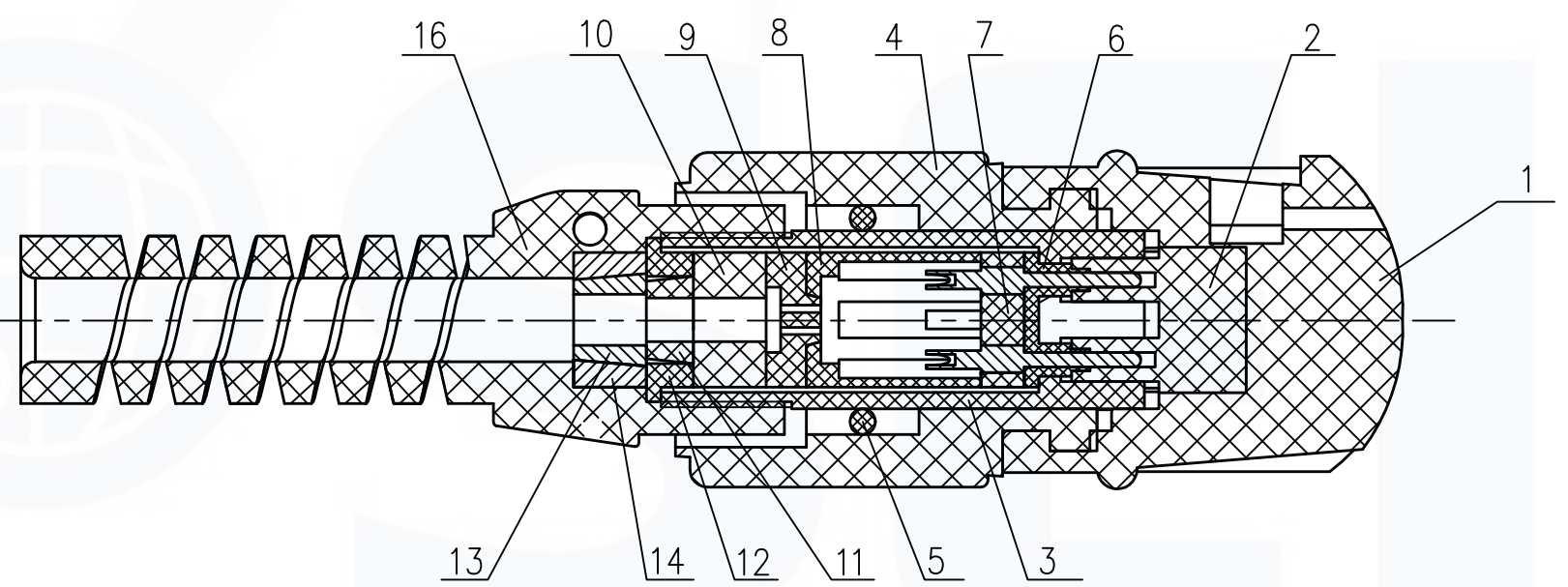
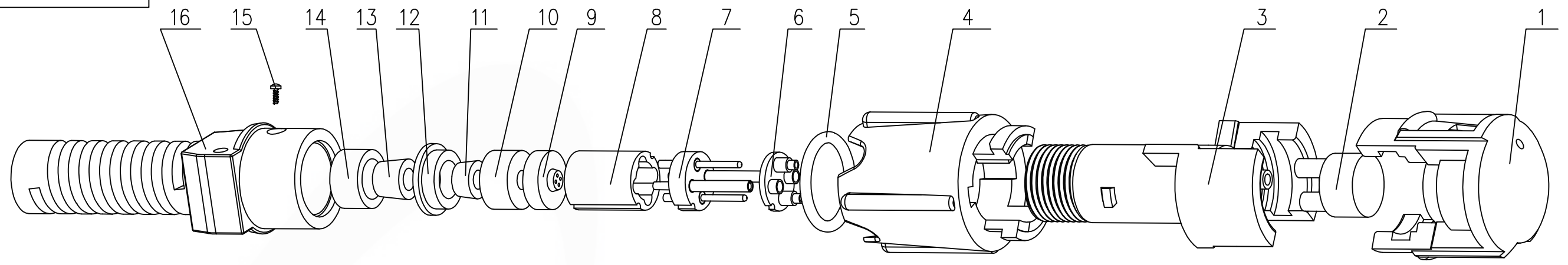


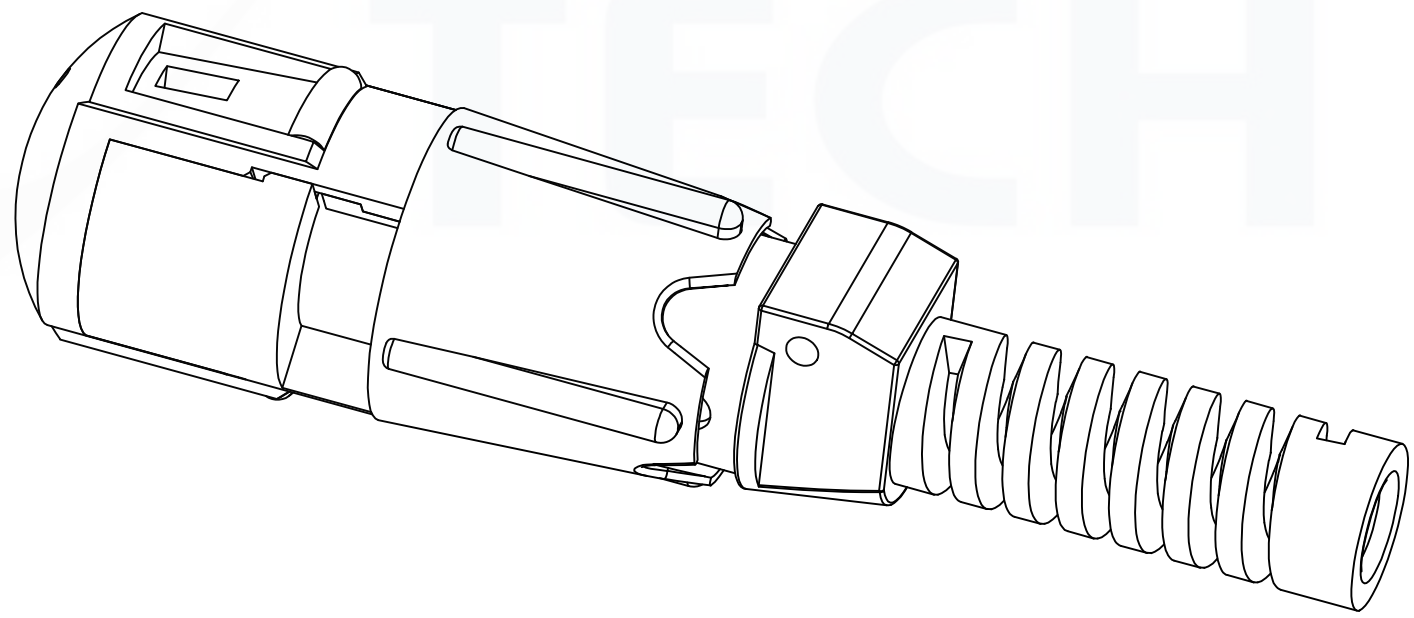
FM4 WPSR



PIN CONFIGURATION OF SOLDER SIDE

16		Tail Piece		1
15		Tapping Screw		1
14		Becket-2		1
13		Becket-1		1
12		Cushion		1
11		Cable Gland		1
10		Sealing Washer		1
9		Gasket For Cable		1
8		Spacer Sleeve		1
7		Pin Element		1
6		Sealing Washer		1
5		O-Ring		1
4		Adapter Sleeve		1
3		Connector Case		1
2		Sealing Washer		1
1		Dust Cap		1

Code No.	Drawing No.	Name	Material	Quantity
----------	-------------	------	----------	----------



FM4 WPSR

Scale	1:1	Quantity	
DRAWN BY:		APPROVED BY:	
XH.S		STEVE LU	

Seis Tech Incorporation



seis-tech.com

Date Sign