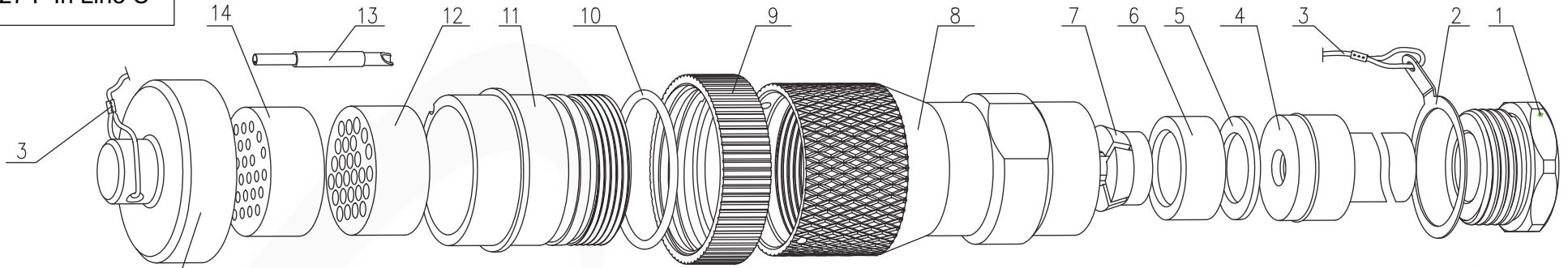


NK27 F In Line C

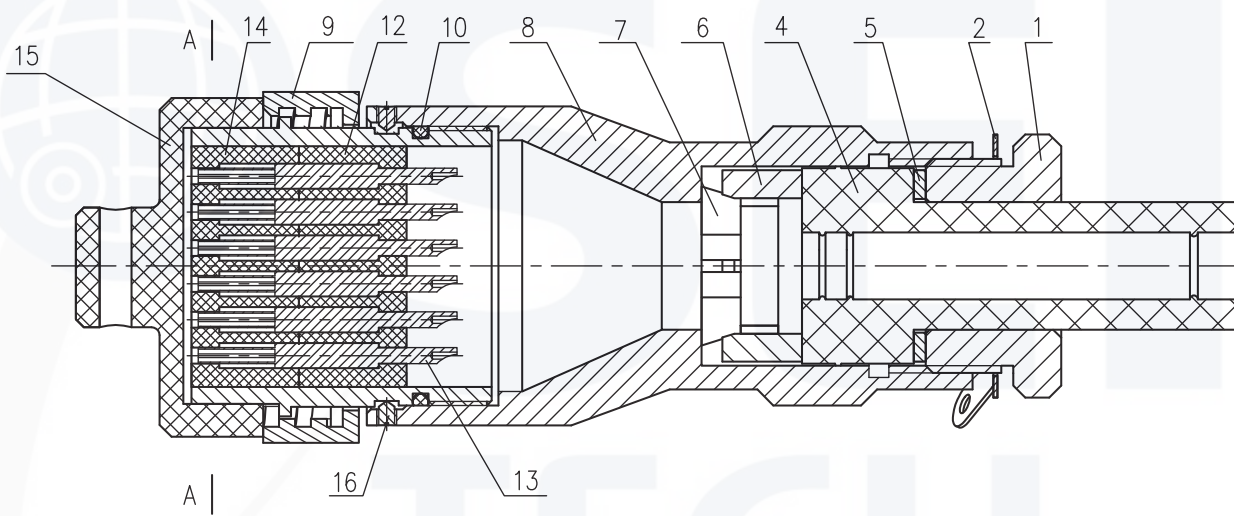
A



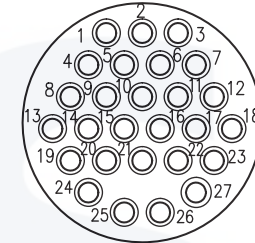
B



C



A-A

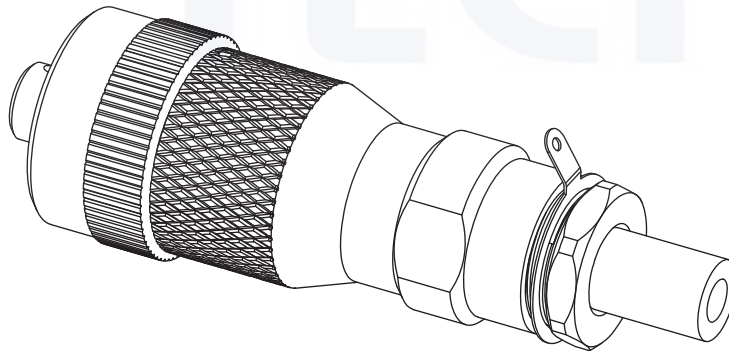


PIN CONFIGURATION

D

16	SET SCREW		2	
15	DUST CAP		1	
14	PIN RETAINER.TOP		1	
13	FEMALE PIN		27	
12	PIN RETAINER.BOTTOM		1	
11	NK-27-21 FEMALE CONN.SHELL		1	
10	O-Ring		1	
9	COUPLING RING		1	
8	BACKSHELL		1	
7	CLAMP		1	
6	GASKET		1	
5	BOOT WASHER		1	
4	CABLE BOOT		1	
3	INSULATEDWIRE TOPE		1	
2	BOOT WASHER		1	
1	BACKSHELL NUT		1	
Code No.	Drawing No.	Name	Material	Quantity

E



NK27 F In Line C

Version	HH	Type	II
Scale	1.5:1	Quantity	

DRAWN BY:	APPROVED BY:
XH.S	STEVE LU

Seis Tech Incorporation



seis-tech.com

Date Sign

1

2

3

4

5

6

7

8