

NK27 M IN LINE C

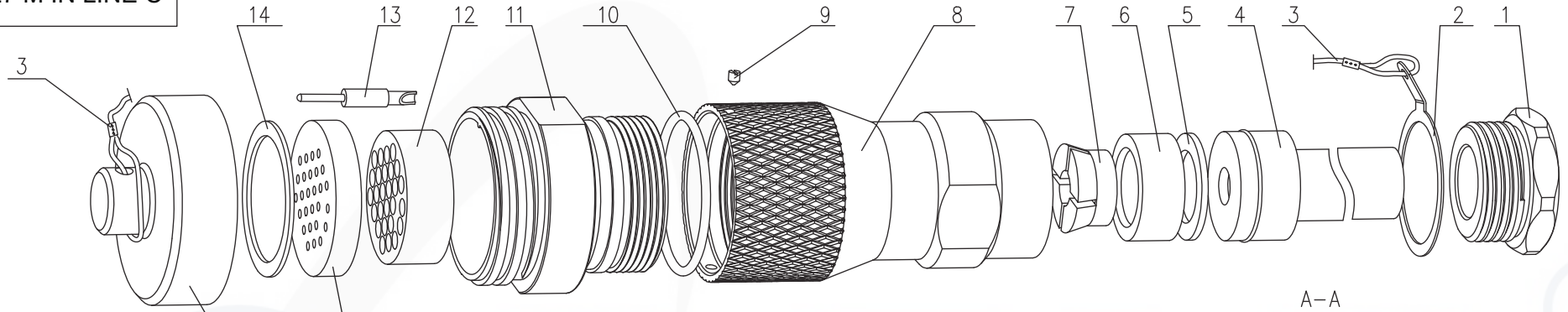
A

B

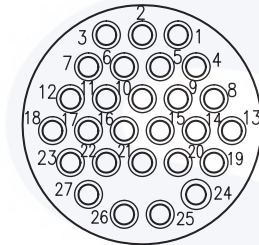
C

D

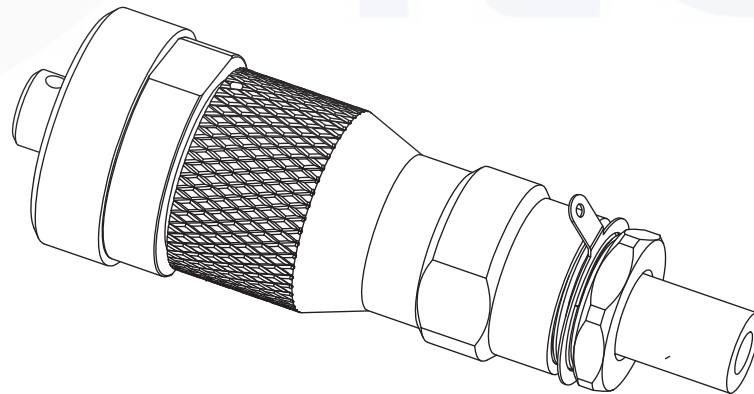
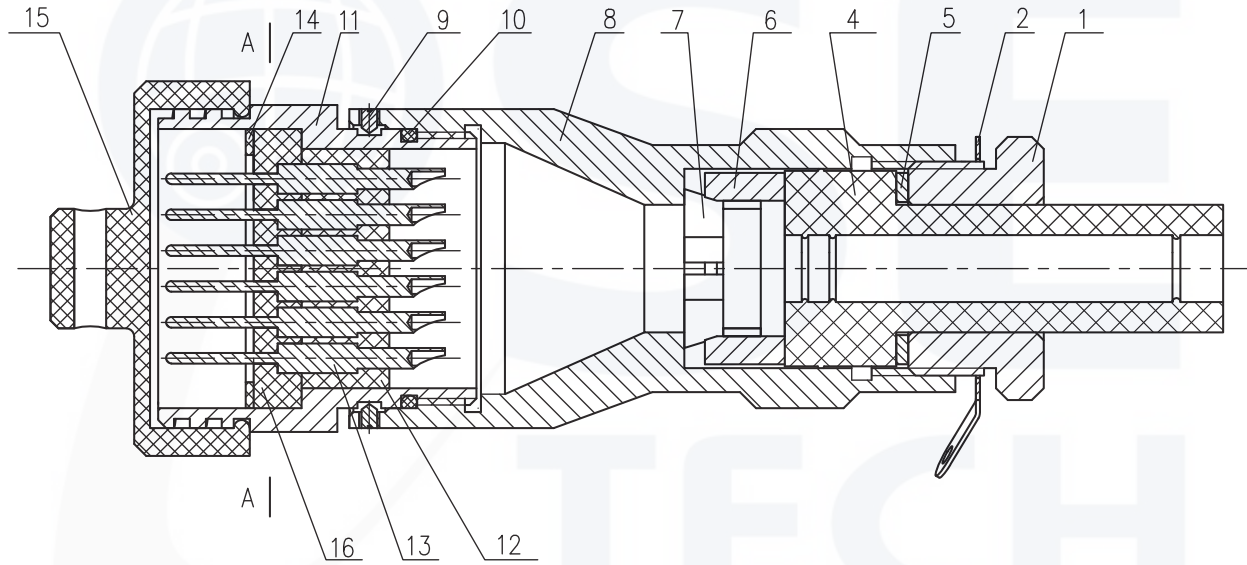
E



A-A



PIN CONFIGURATION



16		PIN RETAINER.TOP		1
15		DUST CAP		1
14		CIRCULAR WASHER		1
13		MALE PIN		27
12		PIN RETAINER.BOTTOM		1
11		NK-27-21C MALE CONN.SHELL		1
10		O-Ring		1
9		SET SCREW		2
8		BACKSHELL		1
7		CLAMP		1
6		GASKET		1
5		BOOT WASHER		1
4		CABLE BOOT		1
3		INSULATEDWIRE TOPE		1
2		BOOT WASHER		1
1		BACKSHELL NUT		1
Code No.	Drawing No.	Name	Material	Quantity

NK27 M IN LINE C

Version	HH	Type	II
Scale	1.5:1	Quantity	
DRAWN BY: XH.S		APPROVED BY: STEVE LU	

Seis Tech Incorporation



seis-tech.com

Date Sign