

3-Component Geophone

Customer:

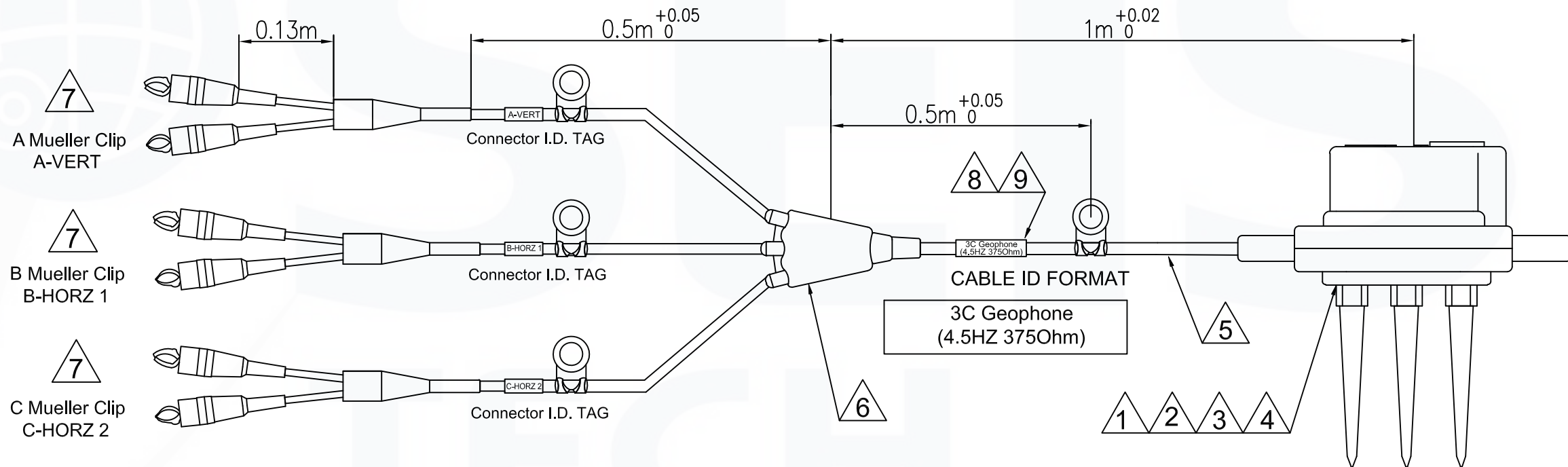
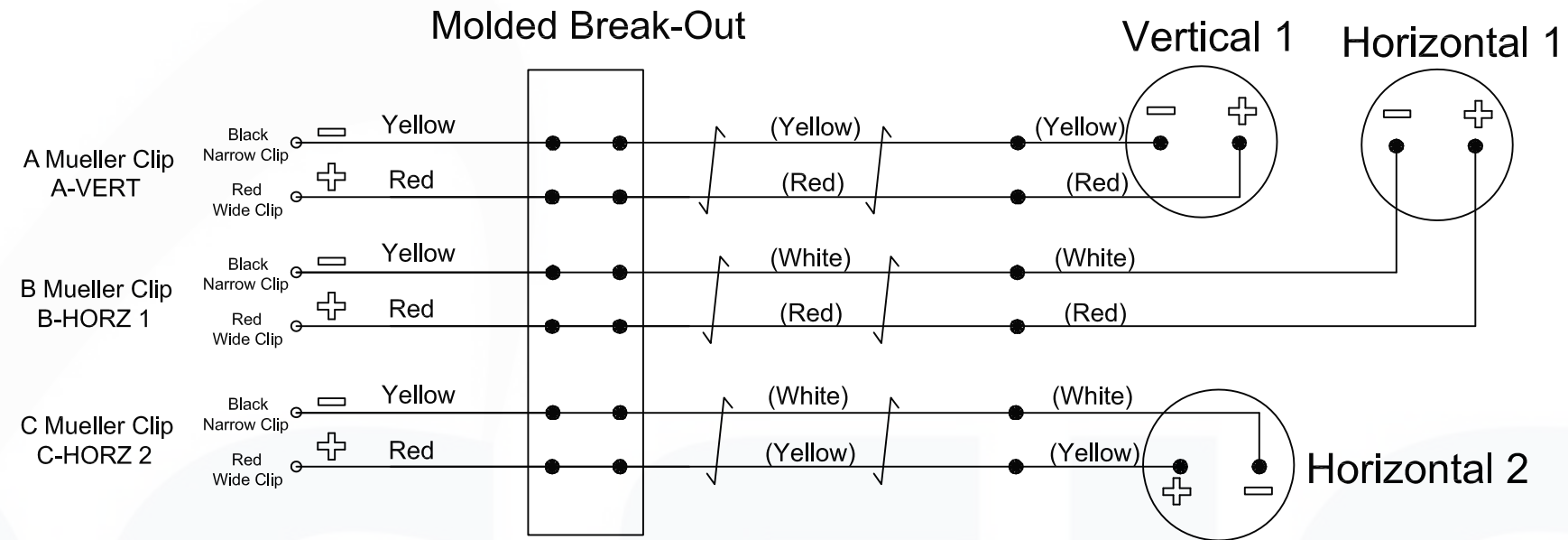
Customer Approval

Name:

Position:

Signature:

Date:




NOTE:

- △ 3-Component Case.
- △ Vertical Geophone Element:ST-4.5N (4.5Hz 375 Ohm).(1 Qty)
- △ Horizontal Geophone Element:ST-4.5N (4.5Hz 375 Ohm).(2 Qty).
- △ Steel Spike:75mm.(3 Qty).
- △ Cable: O.D.=7.3mm, 6 wires(3 Twisted Pair) Non-Filled; Black Jacket.
- △ Cable break out: Molded; 1 into 3; TPU Black.
- △ Connector: Mueller Clip.(3 Qty); Cable:O.D. 4.6mm, 3 wires, Non-Filled, Black Jacket.
- △ I.D. Tag:Polyvinyl self Adhering.(4 Qty)
- △ Tubing:Length--40mm.(4 Qty)

3-Component Geophone

ST-3C-01

DRAWN BY XH.S	DATE: 05-28-2016	SHEET 1 OF 1	 Seis Tech Incorporation
CHECKED BY Steve.L	REV. V1	ENC# NONE	