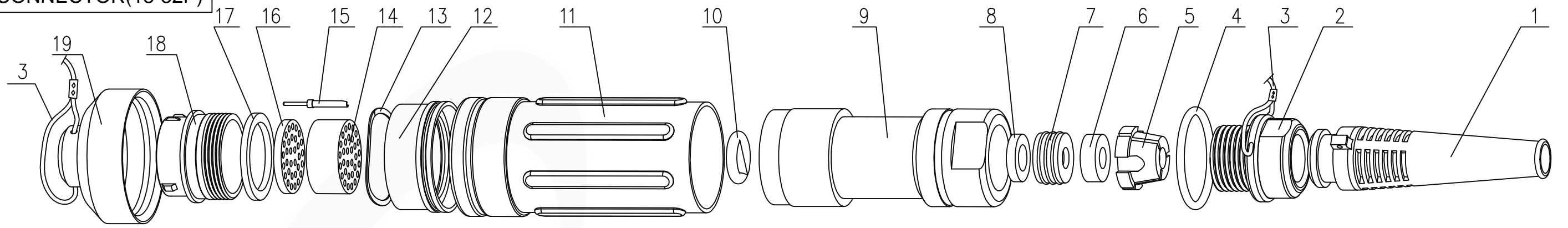
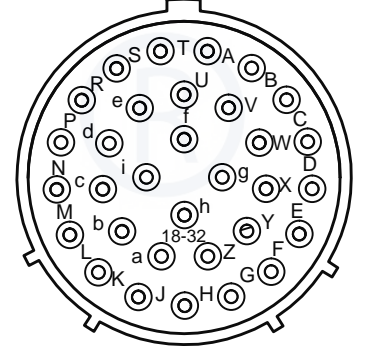


**32 PIN MALE  
CONNECTOR(18-32P)**

A

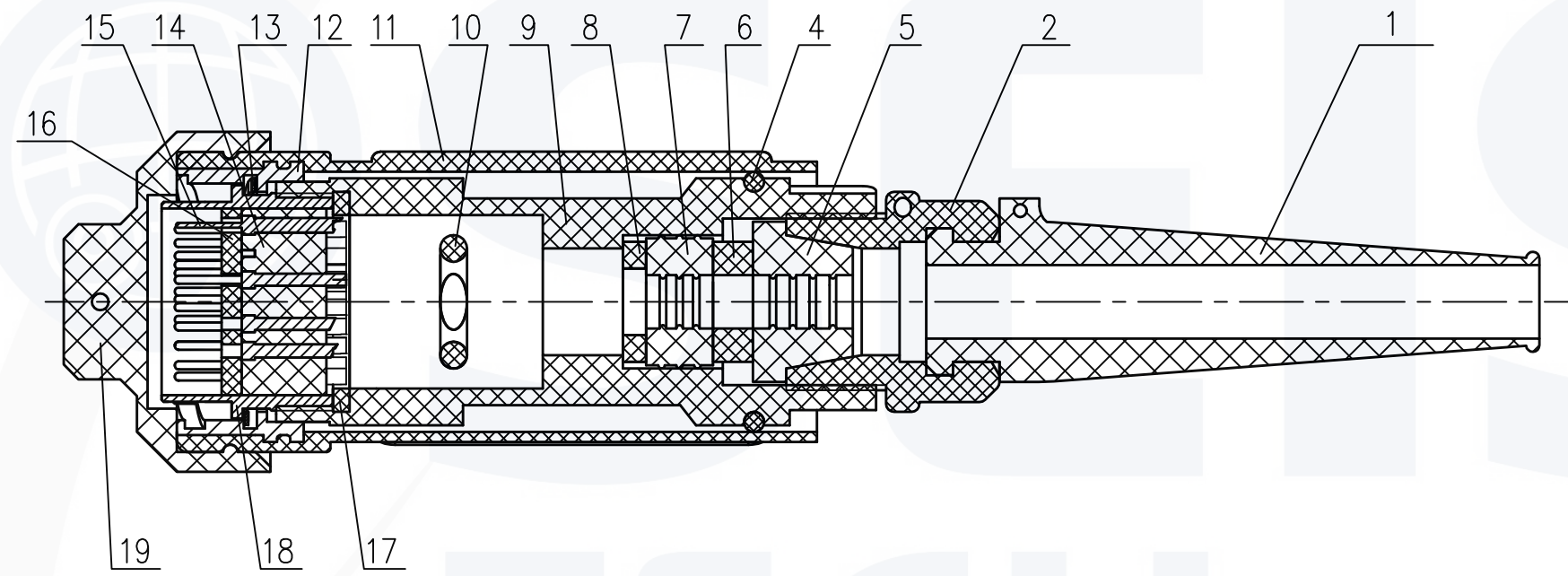


B



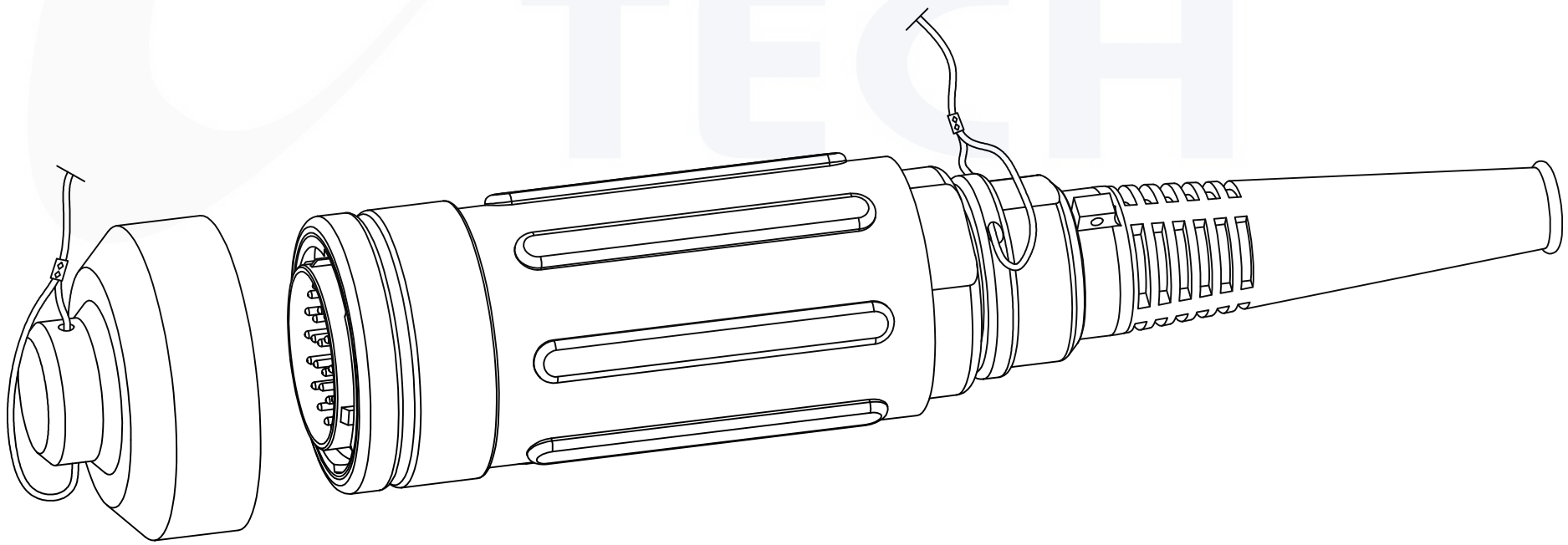
PIN CONFIGURATION

C



D

E



19	DUST CAP	1
18	32 MALE CONN.SHELL	1
17	CIRCULAR WASHER	1
16	PIN RETAINER.TOP	1
15	MALE PIN	32
14	PIN RETAINER.BOTTOM	1
13	WAVE SPRING	1
12	SLEEVE	1
11	COUPLING RING	1
10	BRANCH CIRCLE	1
9	CONN.BODY SUB.ASSY	1
8	CABLE BOOT	1
7	CABLE GLAND	1
6	CABLE BOOT	1
5	CLAMP	1
4	O-RING	1
3	INSULATED WIRE ROPE	1
2	CONN.BODY LOCKER	1
1	TAIL PIECE	1

Code No.	Drawing No.	Name	Material	Quantity
----------	-------------	------	----------	----------

**32 PIN MALE  
CONNECTOR(18-32P)**

Scale	1:1	Quantity	
DRAWN BY:	XH.S	APPROVED BY:	STEVE LU

Seis Tech Incorporation



seis-tech.com

Date Sign