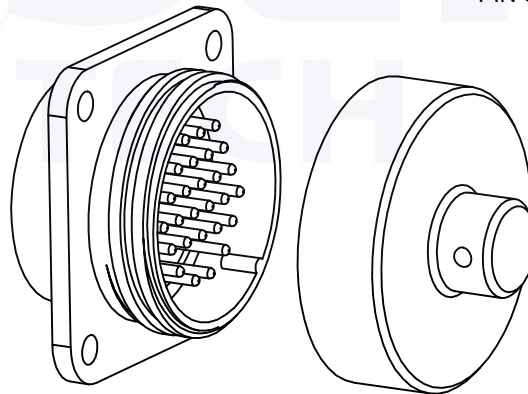


PIN CONFIGURATION

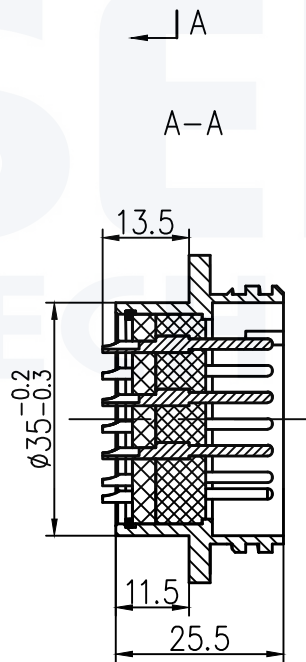
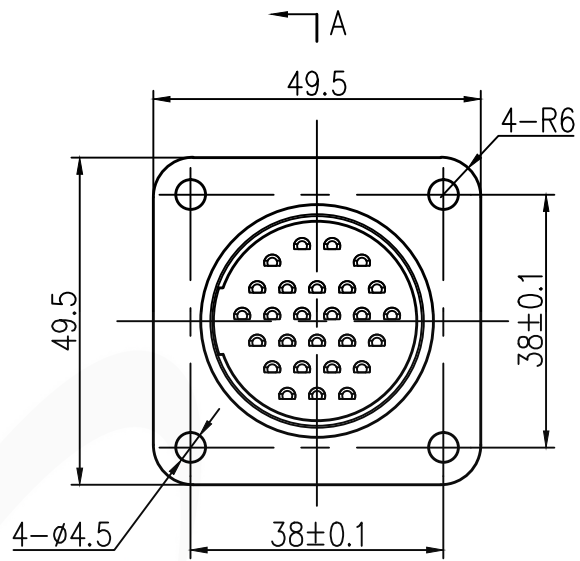


4		MALE PIN	27				
3		PIN RETAINER. BOTTOM	1	7		CRIMP SLEEVE	1
2		NK27 MALE CONN. SHELL	1	6		SPLIT DAMPING RING	1
1		DUST CAP	1	5		PIN RETAINER.TOP	1
CODE NO.	CODE NAME	NAME	QUANTITY	CODE NO.	CODE NAME	NAME	QUANTITY

REV.CODE NO.	REV PLACES	REV.FILE NO.	SIGNED BY	DATE
			XH.S	
DRAWNED BY		Steve.L		
CHECKED BY				
TECHNOLOGY				
STANDARD				
APPROVED BY				

# NK27 M FOR PANEL

QUANTITY			RATIO
			1:1
TOTAL PAGES:2		PAGE NO.1	



REV. CODE NO.	REV. PLACES	REV. FILE NO.	SIGNED BY	DATE
			XH.S	
DRAWN BY		Steve.L		
CHECKED BY				
TECHNOLOGY				
STANDARD				
APPROVED BY				

## NK27 M FOR PANEL

QUANTITY			RATIO
			1:1
TOTAL PAGES:2		PAGE NO.2	