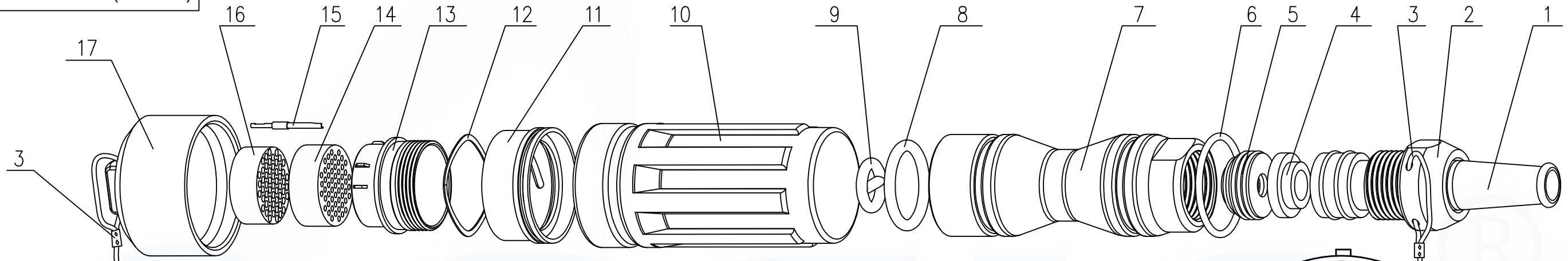
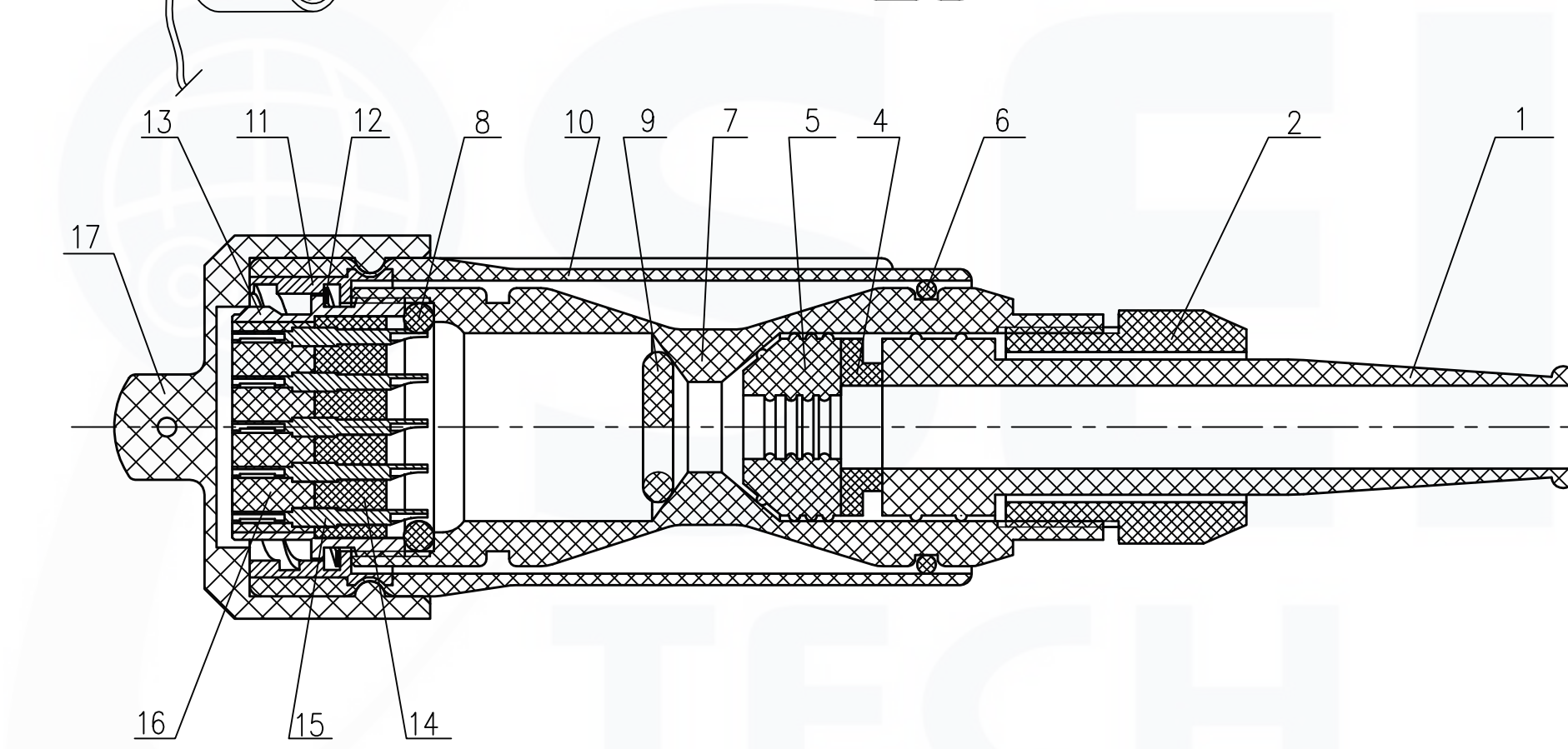


**55 PIN FEMALE
CONNECTOR(22-55S)**

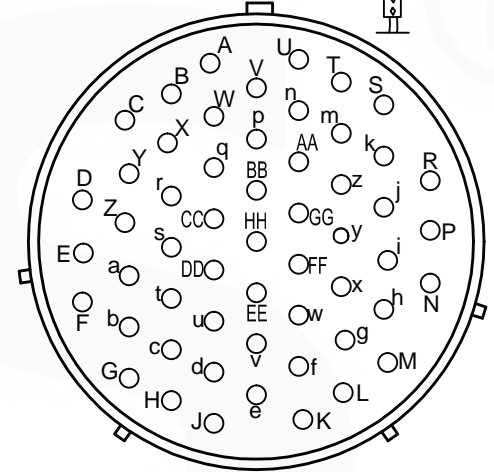
A



B

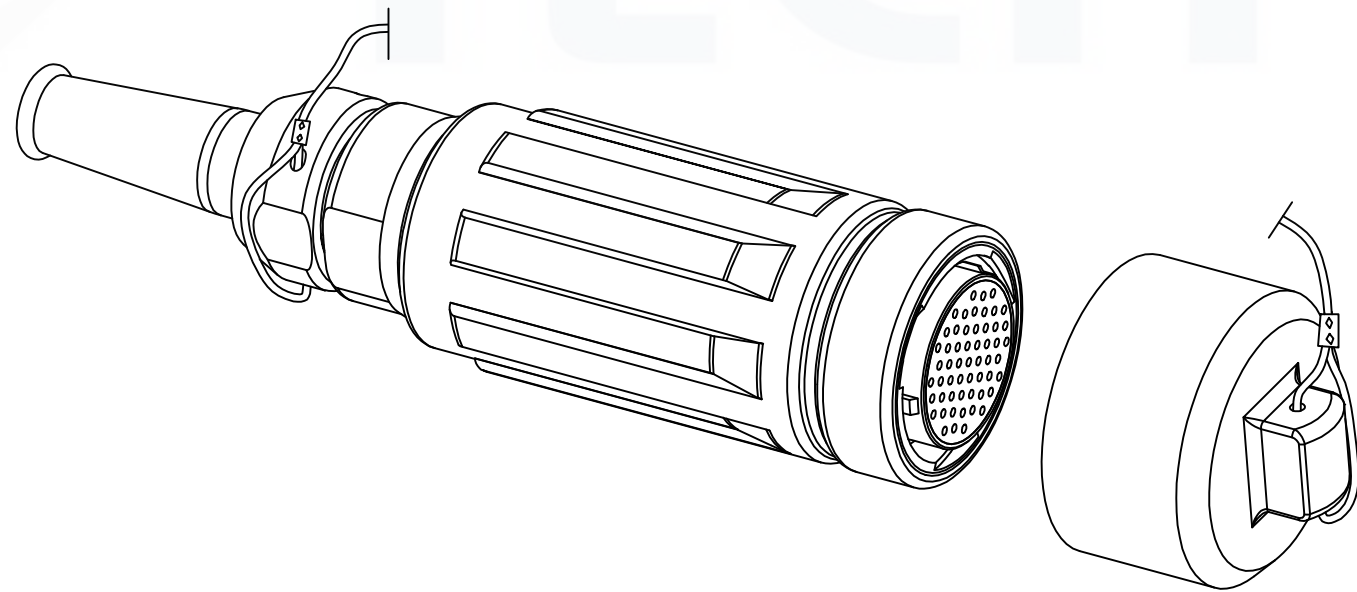


C



PIN CONFIGURATION

D



E

17	DUST CAP	1
16	PIN RETAINER.TOP	1
15	FEMALE PIN	55
14	PIN RETAINER.BOTTOM	1
13	55P FEMALE CONN.SHELL	1
12	WAVE SPRING	1
11	SLEEVE	1
10	COUPLING RING	1
9	BRANCH CIRCLE	1
8	WASHER	1
7	CONN.BODY SUB ASSY	1
6	O-RING	1
5	CABLE GLAND	1
4	CABLE BOOT	1
3	INSULATED WIRE ROPE	1
2	CONN.BODY LOCKER	1
1	TAIL PIECE	1

Code No.	Drawing No.	Name	Material	Quantity
----------	-------------	------	----------	----------

**55 PIN FEMALE
CONNECTOR(22-55S)**

Scale 1:1
 DRAWN BY: XH.S
 APPROVED BY: STEVE LU

Seis Tech Incorporation



seis-tech.com

Date Sign